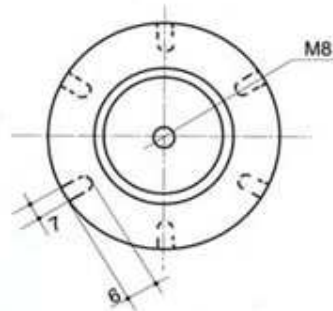
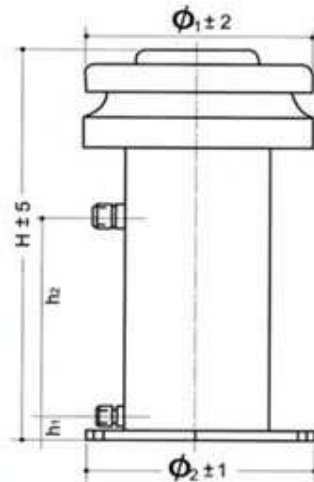


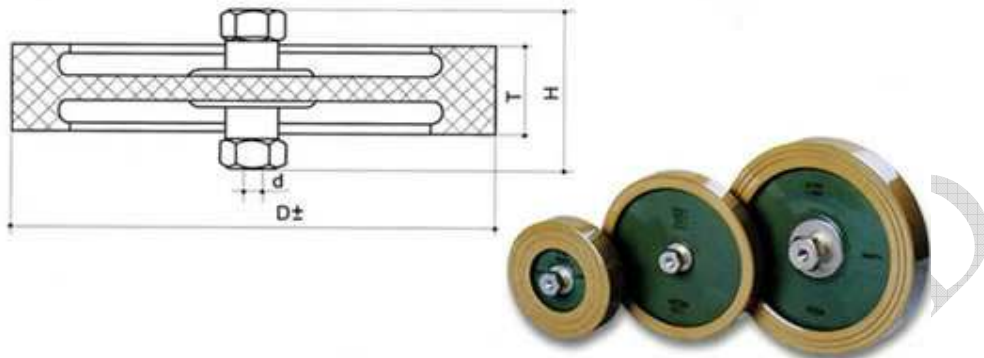
# THÔNG SỐ KỸ THUẬT

## CCGS - TỤ SỬ CAO ÁP - LÀM MÁT BẰNG NƯỚC



Model	Power capacity (PF)		Temperature speciality	Rated Voltage (KV)		Rated relative power	Max. electric current	Water yield L/M	Dimensions (mm)				
	Standard value	Allowable deviation		Rated value	Effective value				$\phi_1$	$\phi_2$	$h_1$	$h_2$	H
CCGS-1	2000	M ( $\pm 20\%$ )	U	20	18	1250	150	>1.2	125	110	18	115	220
CCGS-3	5000			24	20	2500	250	>1.8	135	142	25	134	315

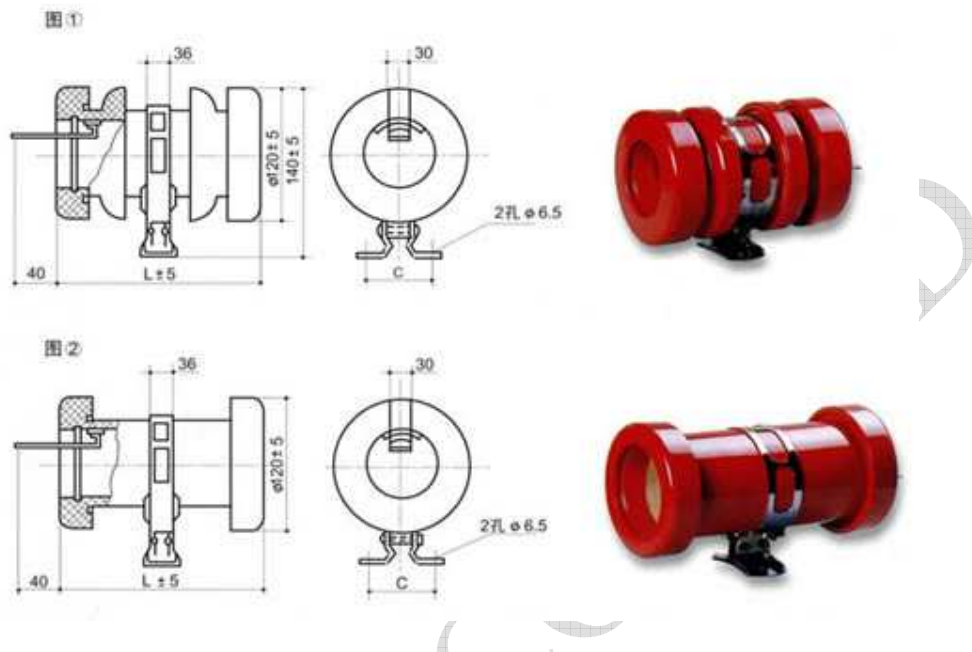
**CCG81 - TỤ ĐIỆN SỨ CAP ÁP KIỂU DỆT**



Model	Power capacity (PF)		Temperature speciality	Rated Voltage (KV)	Rated relative power	Max. electric current	In normal weather conditions		Dimensions (mm)			
	Standard value	Allowable deviation					tgδ <	Ri > MΩ	D	T	H	d
									Diameter	Thickness	Height	Cuprous
CCG81-1 (DT50)	50-200			10	8	12			50	17	40-30	
CCG81-2 (DT60)	100-300			12	15	15			60	15	30	M6
	500			10	15	15				15	28	
CCG81-3 (DT80)	300			15	30	20			80	18	31	
	500			14	15	20				16	28	
	1000			8	15	20				18	28	
CCG81-4 (DT110)	300	K (±10%)	U	30	90	17	0.0006	10000	110	27	52	
	500			16	45	17				19	48	
	1000			12	40	20				17	46	
	1500			9	22	20				15	45	
CCG81-5 (DT140)	500			30	90	25			140	25	52	M8
	1000			20	100	30				25	50	
	1500			15	90	30				20	48	
	2000			8	70	25				20	45	
CCG81-6 (DT150)	500			30	120	35			150	25	52	
	1500			20	120	35				23	48	
	2200			15	90	30				21	46	
CCG81-7 (DT160)	2000			20	120	40			160	23	48	
CCG81-8 (DT200)	1000-2000			30-20	300-200	60			200	33-30	68-62	M10
	3000-5000			13-12	100-80	60				30-25	47-45	

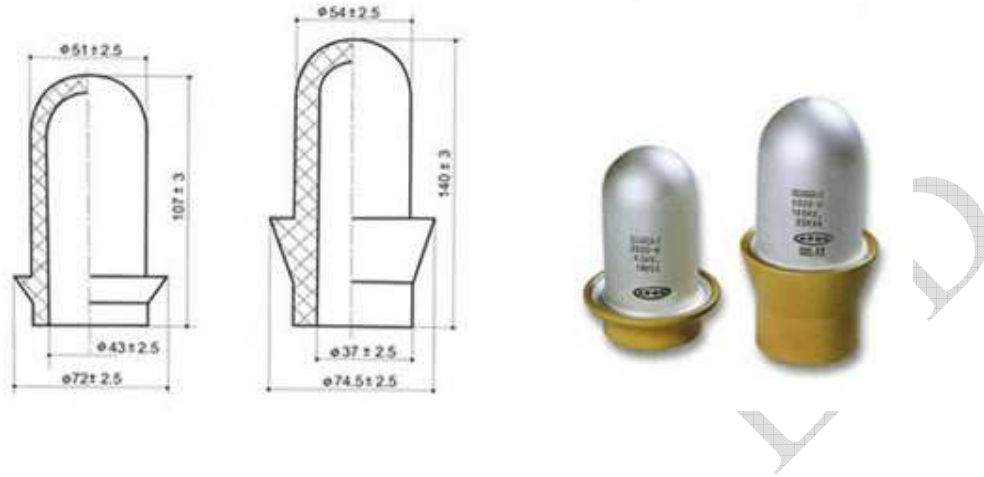
注: CCG81-8 3000PF、5000PF螺母为六爪引片式

**CCG5 - TỤ ĐIỆN SỬ CAO ÁP KIỂU TRỤ**



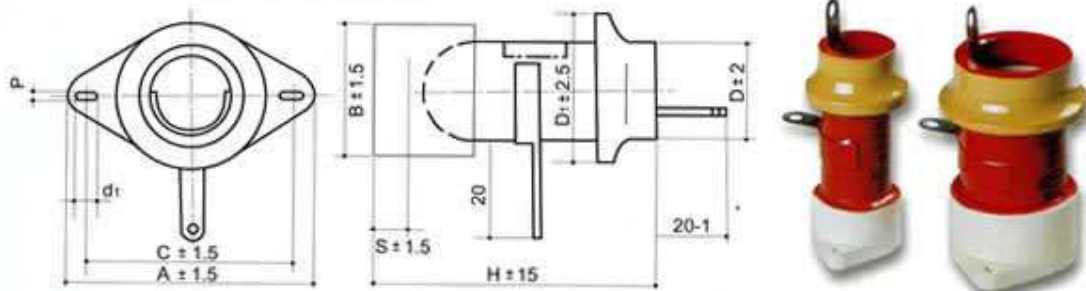
Model	Power capacity (PF)		Temperature speciality	Rated Voltage (KV)			Rated relative power	Max. electric current	In normal weather conditions		Dimensions (mm)		Graphic symbol
	Standard value	Allowable deviation		Rated value	Effective value	Test value			tgδ <	Ri > Mn	L	C*	
CCG5-1	1000			30	12	45	70				180	40	①
CCG5-2	1500			20	10	30	60				168	42	
CCG5-3	2200			20	10	30	70				190	48	
CCG5-4	3300	K (±10%)	U	15	8	30	70	40	0.0008	10000	190	48	②
CCG5-5	4700			15	8	30	70				180	48	
CCG5-6	5600			15	8	30	70				210	48	
特CCG5-6	5600			20	10	30	80				235	48	②
特CCG5-6	5600			30	20	45	80				300	50	①
CCG5-7	6800			20	10	30	80				235	48	②

**CCG10A – TỤ ĐIỆN SỬ CAO ÁP KIỂU CHAI**



Model	Power capacity (PF)		Temperature speciality	Rated Voltage (KV)		Rated relative power	In normal weather conditions	
	Standard value	Allowable deviation		Rated value	Effective value		tgδ <	Ri > Mn
CCG10A-1	2500	K (±10%)	U	4.50	9	19	0.0008	10000
CCG10A-2	1000			14.5	29			

**CCG11 TỤ ĐIỆN SỬ CAO ÁP KIỂU CHAI**

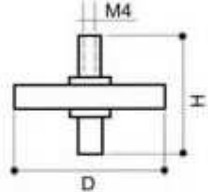


Model	Power capacity (PF)		Temperature speciality	Rated Voltage (KV)		Rated relative power	Max. electric current	In normal weather conditions		Dimensions (mm)									
	Standard value	Allowable deviation		Rated value	Effective value			tgδ <	Ri > Mn	D	D1	H	A	B	C	S	d	d1	
CCG11-3	470	680	K (±10%)	U	5	4	8	8	0.0008	10000	30	45	90	60	40	50	8	4.1	5
CCG11-4	680	1000			8	5	10	10			45	65	90	80	58	68	8	4.1	5.4



Model	Power capacity (PF)		Temperature speciality	Rated Voltage (KV)	In normal weather conditions			Structure and shape	Dimensions (mm)		
	Standard value	Allowable deviation			Test value	tgδ <			Ri > Mn	D	h
						0.3MHZ	1MHZ				
CT87-1	470			10	20				a / b	31	22/35
CT87-2	1000	M (±20%)	D	9	18	0.002	0.0035	10000	a / b	37	18
CT87-3	2200			7.5	15				a / b	47	20/30

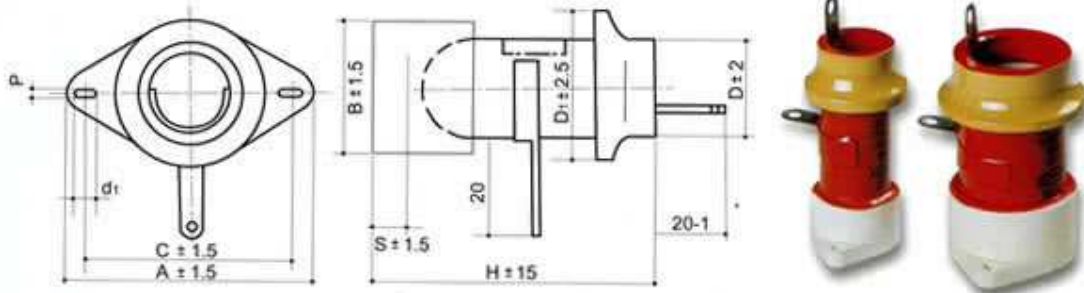
Low-frequency ceramic capacitor

Low-frequency ceramic capacitor	Rated Voltage	Power capacity	Allowable deviation	D	H ± 2	
	2KV_	1000PF		20	20	
	3KV_	1000PF		20	22	
	6KV_	2200PF		30	24	

**FT string heart TỤ ĐIỆN SỬ CAO ÁP KIỂU TRỤ**



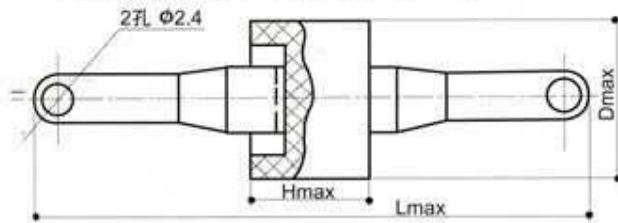
**CCG11 bottle-shaped high power ceramic capacitor**



Model	Power capacity (PF)		Temperature speciality	Rated Voltage (KV)		Rated relative power	Max. electric current	In normal weather conditions		Dimensions (mm)								
	Standard value	Allowable deviation		Rated value	Effective value			tgδ <	Ri > Mn	D	D <sub>i</sub>	H	A	B	C	S	d	φ
CCG11-3	470	K (±10%)	U	5	4	8	8	0.0008	10000	30	45	90	60	40	50	8	4.1	5
	680									1000	1500							
CCG11-4	680	1000	1500		8	5	10	10		45	65	90	80	58	68	8	4.15	4

**CCG61 drum-shaped high power ceramic capacitor**

该电容器用于谐振、耦合及旁路等电路。



Model	Power capacity (PF)		Temperature speciality	Rated Voltage (KV)		Rated relative power	Max. electric current	In normal weather conditions		Dimensions (mm)			
	Standard value	Allowable deviation		Rated value	Effective value			Test value	tgδ <	Ri > Mn	D	H	L
CCG61-1	68	K (±10%)	U	4	4	3	1.5	8			21	17	
	56												
CCG61-2	33	K (±10%)	U	5	5	3	1.5	10	0.0008	10000	37	20	100
	27												
CCG61-3	56		U	8	6	4	2	16			37	25	
CCG61-4	33		U	10	10	5	2	20			37	27	
CCG61-4	22		U	10	10	5	2				37	27	

Technical parameters:

1. Dielectric loss: ≤0.0008 ;
2. Insulation resistance: ≥10000MΩ ;
3. Permissible variation of rated capacitance: K (+/-10%) ;
4. Applicable weather: 40/085/04 ;
5. Rated temperature: +85°C ;
6. Test voltage: 2 times of rated voltage if the rated voltage ≤15KV or 1.5 times of rated voltage if the rated voltage ≥15KV.